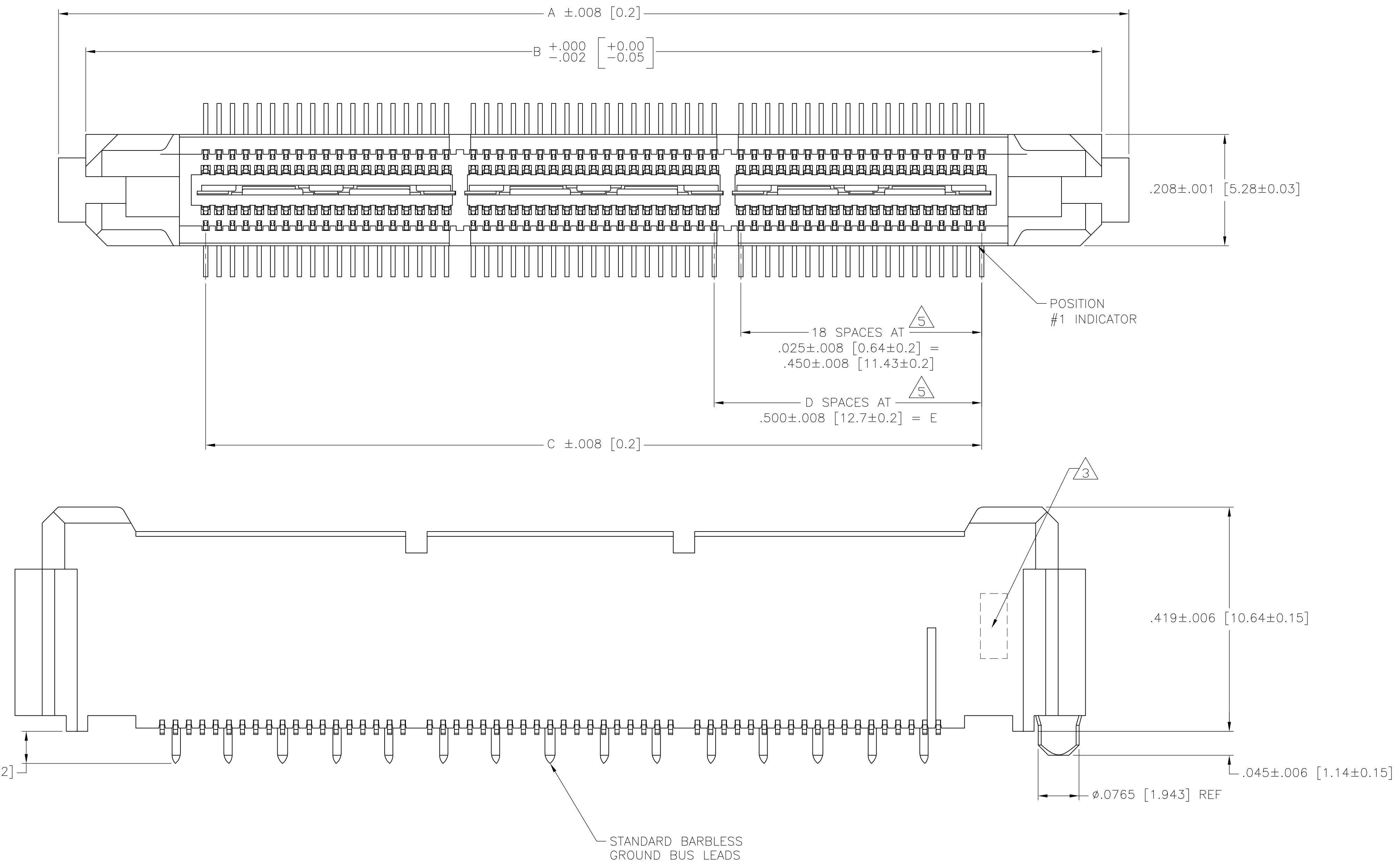
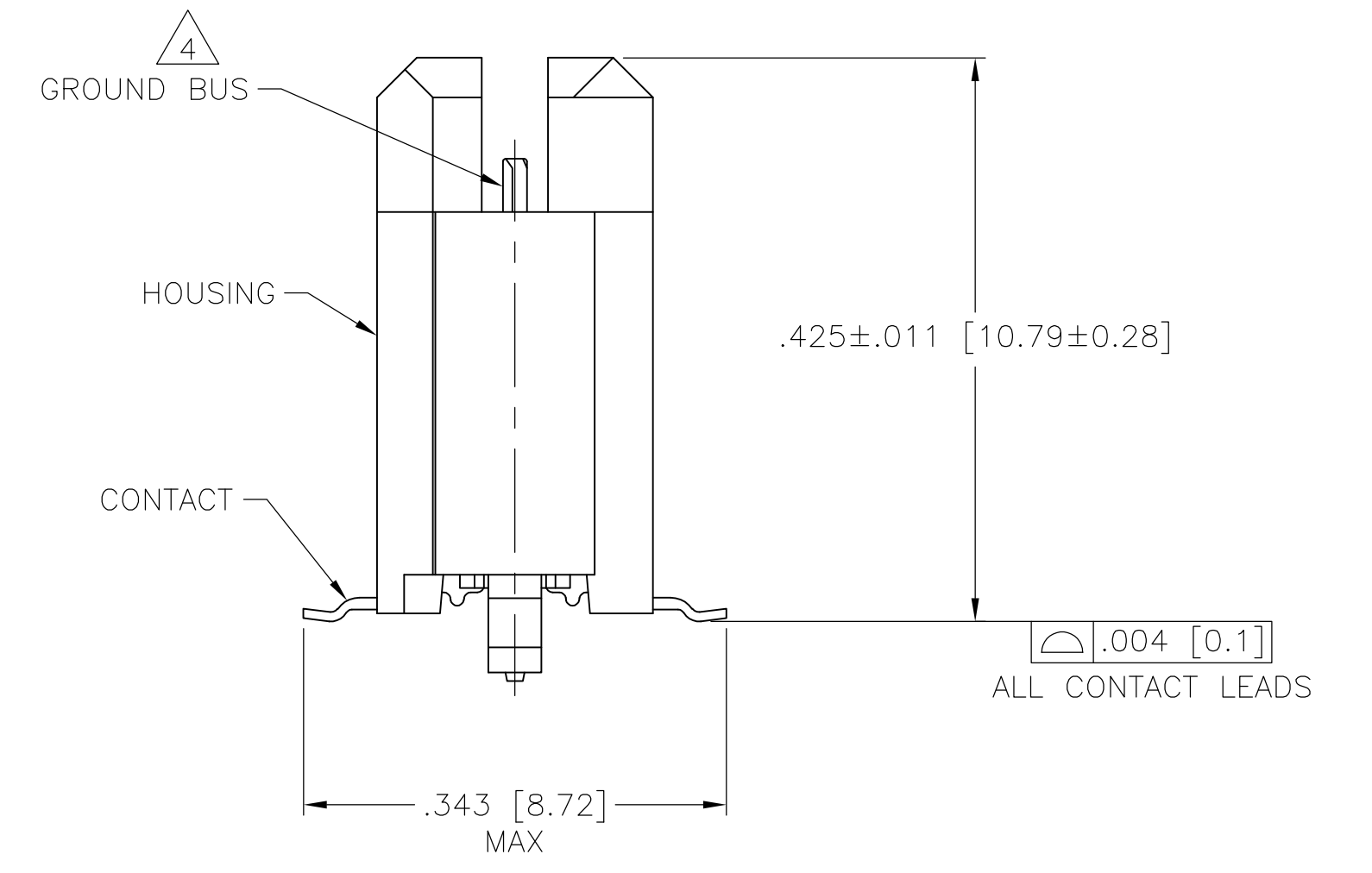


LOC		DIST		REVISIONS			
AD	00	REV	DATE	BY	CHK	APPV	
B		REVISED PER ECO-08-009495	30JUN08	DH	DD		



- $\triangle 1$  HOUSING: LIQUID CRYSTAL POLYMER, BLACK.  
CONTACTS: HIGH RELIABILITY COPPER ALLOY.  
GROUND BUSES: PHOSPHOR BRONZE ALLOY, UNS C51100.
- $\triangle 2$  CONTACTS & GROUND BUSES: NICKEL UNDERPLATE ALL OVER, MATING SURFACE PLATED TO MEET LEVEL 1 PERFORMANCE REQUIREMENTS OF TE PRODUCT SPECIFICATION 108-1422, SOLDER TAILS PLATED MATTE TIN.
- $\triangle 3$  DATE CODE MARKED IN AREA INDICATED ON SIDE OPPOSITE POSITION #1.
- $\triangle 4$  ONE GROUND BUS WITH 5 TAILS PER EACH MODULE.
- $\triangle 5$  TOLERANCE NON-ACCUMULATIVE.
- $\triangle 6$  FOR STANDARD APPLICATIONS, ORIENTATION HOLE TO BE  $\phi .094 \pm .002 [2.39 \pm 0.05]$ .  
FOR SLIP-FIT APPLICATIONS, ORIENTATION HOLE TO BE  $\phi .079 \pm .001 [2.00 \pm 0.03]$ .
- $\triangle 7$  CONNECTORS PACKAGED ON 13 INCH DIA REELS PER EIA 481.
- $\triangle 8$  NOT RELEASED FOR PRODUCTION.



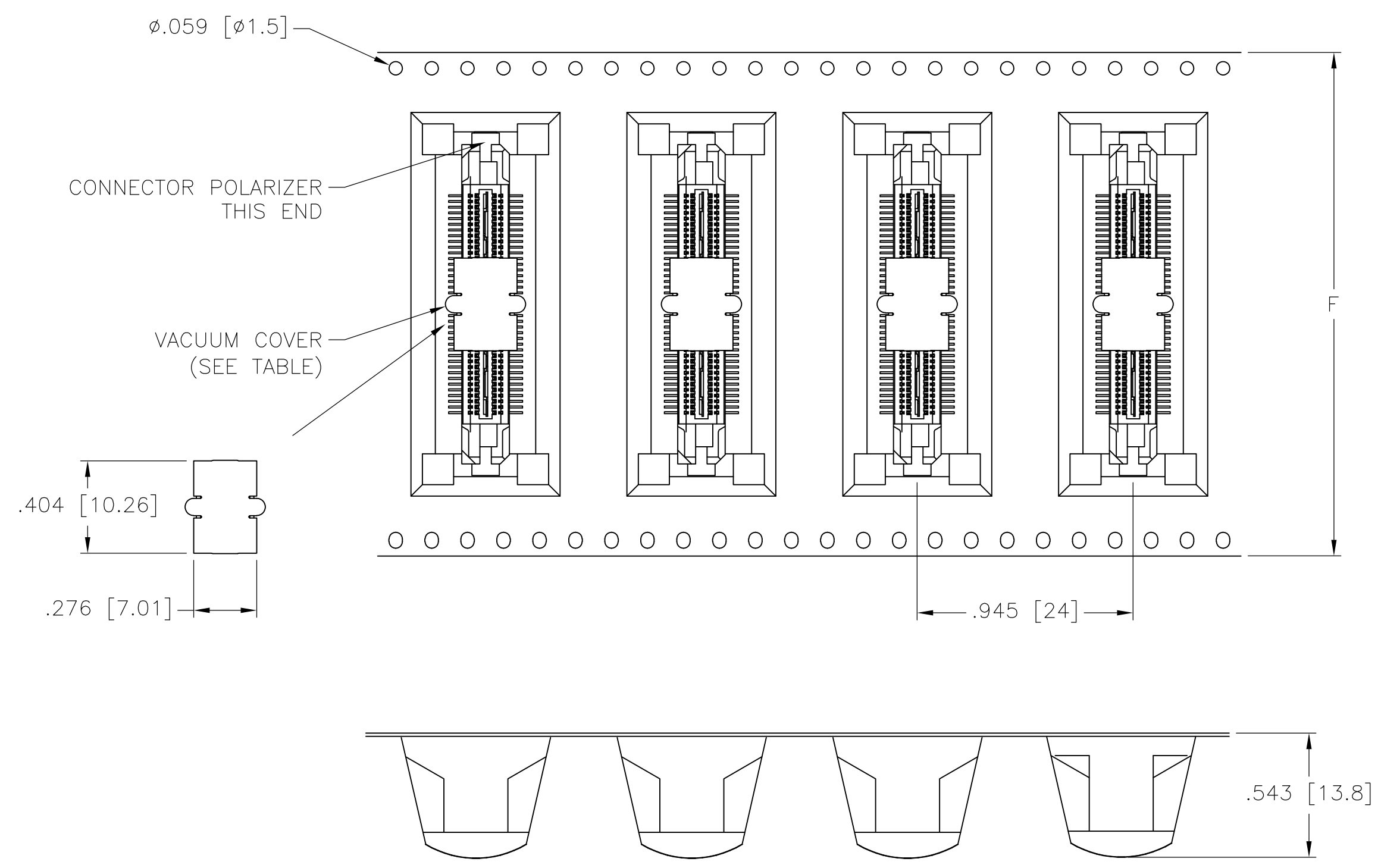
SEE SHEET 2 FOR RECOMMENDED PC BOARD LAYOUT AND PACKAGING DETAIL

$\triangle 8$	YES	3.465 [88]	2.000 [50.8]	4	2.450 [62.23]	2.898 [73.61]	3.000 [76.2]	190	1-5767183-2
	YES	3.465 [88]	1.500 [38.1]	3	1.950 [49.53]	2.398 [60.91]	2.500 [63.5]	152	1-5767183-1
	YES	2.835 [72]	1.000 [25.4]	2	1.450 [36.83]	1.898 [48.21]	2.000 [50.8]	114	1-5767183-0
$\triangle 8$	YES	2.205 [56]	.500 [12.7]	1	.950 [24.13]	1.398 [35.51]	1.500 [38.1]	76	5767183-9
$\triangle 8$	YES	1.732 [44]	.000 [0]	0	.450 [11.43]	.898 [22.81]	1.00 [25.4]	38	5767183-8
$\triangle 8$	NO	3.465 [88]	2.000 [50.8]	4	2.450 [62.23]	2.898 [73.61]	3.000 [76.2]	190	5767183-5
$\triangle 8$	NO	3.465 [88]	1.500 [38.1]	3	1.950 [49.53]	2.398 [60.91]	2.500 [63.5]	152	5767183-4
$\triangle 8$	NO	2.835 [72]	1.000 [25.4]	2	1.450 [36.83]	1.898 [48.21]	2.000 [50.8]	114	5767183-3
$\triangle 8$	NO	2.205 [56]	.500 [12.7]	1	.950 [24.13]	1.398 [35.51]	1.500 [38.1]	76	5767183-2
$\triangle 8$	NO	1.732 [44]	.000 [0]	0	.450 [11.43]	.898 [22.81]	1.00 [25.4]	38	5767183-1
	VACUUM COVER INCLUDED	F	E	D	C	B	A	NO OF POSN	PART NUMBER

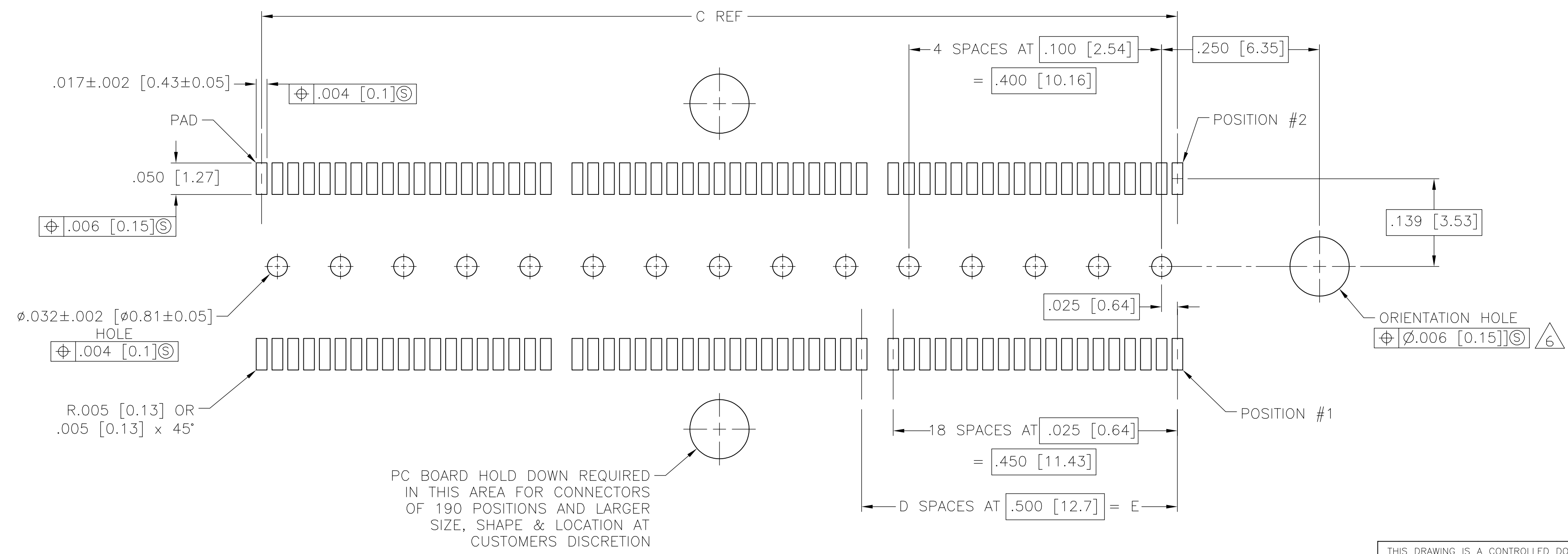
THIS DRAWING IS A CONTROLLED DOCUMENT.

DIMENSIONS: INCHES[mm]	TOLERANCES UNLESS OTHERWISE SPECIFIED:	0 PLC ± -	1 PLC ± -	2 PLC ± -	3 PLC ± -	4 PLC ± .005 [0.13]	ANGLES ± -
MATERIAL $\triangle 1$		FINISH $\triangle 2$		DRAWING NO. 114-11004		WEIGHT -	
CUSTOMER DRAWING		SCALE 8:1		SHEET 1 OF 2		REV B	

DIB: A. FERNANDEZ 27 OCT 04  
 CHK: D. DIXON 27 OCT 04  
 APPV: D. DIXON 27 OCT 04  
 NAME: Tyco Electronics Corporation, Harrisburg, PA 17105-3608  
 PRODUCT SPEC: 108-1422  
 APPLICATION SPEC: 114-11004  
 SIZE: A1  
 CASE CODE: 00779  
 DRAWING NO.: 5767183  
 RESTRICTED TO: -



PACKAGING DETAIL  $\triangle 7$   
 SCALE 2:1  
 DIMENSIONS ARE FOR REFERENCE



RECOMMENDED PC BOARD LAYOUT  
 (VIEWED FROM CONNECTOR SIDE)

THIS DRAWING IS A CONTROLLED DOCUMENT.		DIN	A. FERNANDEZ	27 OCT 04	Tyco Electronics Corporation Harrisburg, PA 17105-3608
		CHK	D. DIXON	27 OCT 04	
DIMENSIONS: INCHES[mm]		TOLERANCES UNLESS OTHERWISE SPECIFIED:		NAME: PLUG ASSEMBLY, .430 [10.92] VERTICAL, .025 [0.64] CL, GULL WING LEADS, POKET TAPE PACKAGED, MICTOR	
0. PLC ± -		1. PLC ± -		PRODUCT SPEC: 108-1422	
1. PLC ± -		2. PLC ± -		APPLICATION SPEC: 114-11004	
2. PLC ± -		3. PLC ± .005 [0.13]		SIZE: A1	
3. PLC ± -		4. PLC ± -		CAGE CODE: 00779	
4. PLC ± -		ANGLES ± -		DRAWING NO: 5767183	
MATERIAL: 1		FINISH: 2		WEIGHT: -	
		CUSTOMER DRAWING		SCALE: 8:1	
				SHEET 2 OF 2	
				REV B	